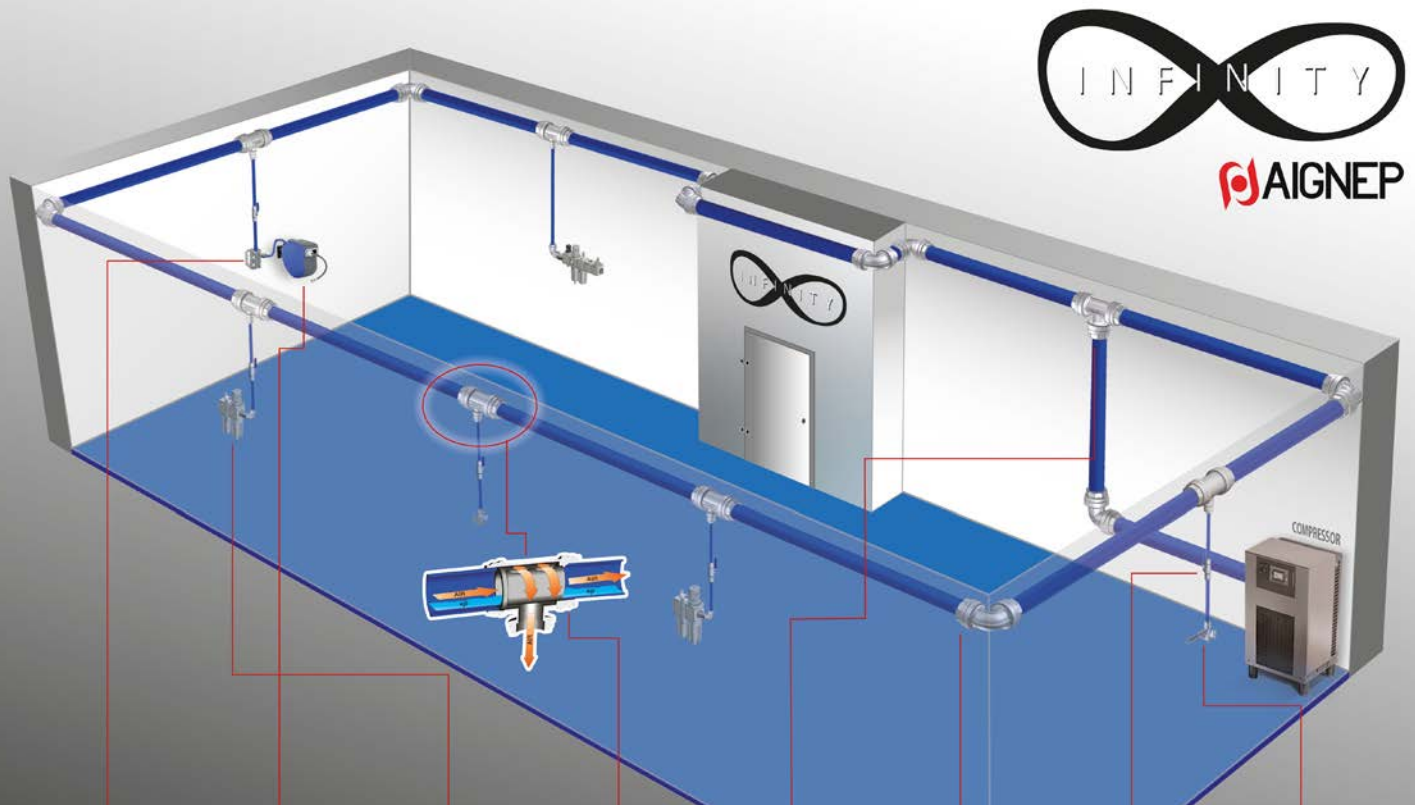


! OPERATING INSTRUCTIONS



ISO CERTIFIED



Aignep is certified to UNI EN ISO 9001:2015: international standard for company quality management systems.

COMPLIANCE 2014/68/UE



Infinity® products satisfy the requirements of 2014/68/UE (PED: Pressure Equipment Directive).

REACH COMPLIANCE



All Infinity® products comply with REACH standard EC N°1907 / 2006 concerning restrictions of chemical hazardous substances.

ROHS COMPLIANCE



All Infinity® products comply with ROHS directives: 2011/65/UE concerning restrictions of dangerous substances in appliances.

ASME B31.1 / B31.3



Infinity® products satisfy the requirements of ASME B31.1 and ASME B31.3

CRN COMPLIANCE



Infinity has Full CRN Approval, conforming to the (TSSA) Technical Standards & Safety Authority

QUALICOAT COMPLIANCE



Chemical pre-treatments on Infinity® products comply with UNI 9921 - DIN 50939 - ASTM D 1730 - MIL C 5541 - UNI 9983 - BS 6496 - AAMA 603-605.

ABSENCE OF SILICONE



Infinity® products are silicon-free , in order to guarantee the highest purity level of air.

FIRE RESISTANCE

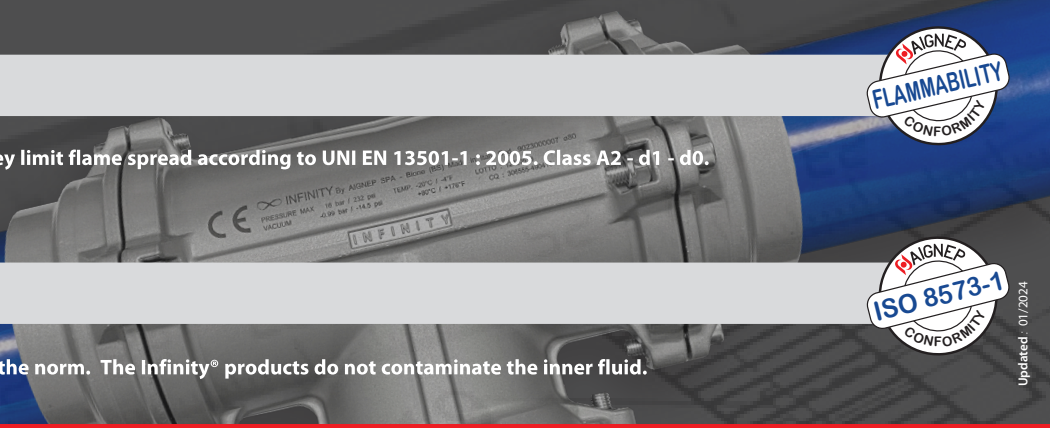


All Infinity® products are not flammable and they limit flame spread according to UNI EN 13501-1 : 2005. Class A2 - d1 - d0.

COMPLIANCE ISO 8573-1



Infinity® system is tested in order to fully comply with the norm. The Infinity® products do not contaminate the inner fluid.




Operating conditions

INFINITY pipes and fittings are designed to convey compressed air, vacuum and inert gases (ask to our technical office for compatibility with inert gases).

INFINITY cannot be used to convey the finished products such as water, food products, chemicals, industrial powders, etc.

INFINITY cannot be buried or hidden in walls or floors. Inspectable ducts must be used for inwall or underfloor installation.

INFINITY cannot contact conduits, pipes or hoses that may contain explosive gases, electrical cables or dangerous liquids.

INFINITY cannot be used as supports for other industrial pipes or electrical ducts.

INFINITY must be protected against vibrations, violent shocks, extreme weather conditions, animal excrements.

INFINITY must be protected against salt spray environment. Tubes and fittings must be shielded.

INFINITY fittings and tubes are extremely resistant to UV radiations. However we recommend shielding them in case of prolonged exposure.


IMPORTANT SAFETY INFORMATION

- PLEASE READ CAREFULLY AND FOLLOW ALL INSTRUCTIONS BEFORE INSTALLING AND USING THIS PRODUCT
- System designer and installer must follow sound established engineering practices while installing Infinity piping system.
- System designer and installer must comply with all applicable national and local laws, including but not limited to all applicable plumbing, fire, and building codes.
- System designer and installer must be adequately trained, competent and have read the INFINITY operation instructions.
- Installation, augmentation and repair of Infinity piping system must be performed by an authorized professional.
- Installers must follow all safety procedures and use all Personal Protective Equipment (PPE), including but not limited to safety glasses, gloves, hardhat, hearing protection, appropriate footwear and safety harnesses, while installing the Infinity Piping System.
- When working at heights, installers must use a harness for personal protection. Installers must ensure that tools are securely fastened to prevent them from falling.
- Additional site- or company-specific safety equipment and procedures may be required during installation.
- System designer and installer must ensure the system is isolated and depressurized while working on the Infinity piping system. All local safety regulations and Lock Out /Tag Out procedures must be followed (ex. OSHA for US.). Special care must always be taken to prevent suffocation risks when working with other gases than air.


INSTALLATION GUIDELINES

INFINITY genuine pipes and fittings only should be used when installing, adjusting or repairing an INFINITY system.

INFINITY full length pipes delivered from factory are ready for connection with fittings. Installers must use the specified equipment to cut the pipe. The cut of pipe must be perpendicular. Installers must always deburr pipes inside and outside after cutting. Installers must remove residual cutting material from pipes.

INFINITY most recommended form of installation for the primary line is a loop. For safety reasons INFINITY primary line must be installed at minimum 2,5 mt (8.2 ft.) from the ground.

INFINITY primary line should be installed with a 1-2% slope to convey condensing water and impurities to drainage points installed further down. Installer must use the proper drop fittings (90259 - 90250 - 90975 - 90976 - 90260 - 90986 - 90010) to convey and remove residual water or impurity from the primary line.

INFINITY drainage fittings must be installed at specific height between 1-1,2 mt (3,2-4 ft.).

INFINITY ball valves (90700 - 90705 - 90710 - 90720 - 90721 - 90725 - 90726) are full flow. For safety, quick inspection and further modifications, we recommend to foresee the installation of ball valves along the primary line or nearby a branch point to secondary lines.

When attempting to identify and remedy any fault or failure, ensure it is only attempted by qualified installers.


Installation equipment

- Installers must follow all safety procedures and use all Personal Protective Equipment (PPE), including but not limited to safety glasses, gloves, hardhat, hearing protection, appropriate footwear and safety harnesses, while installing the Infinity Piping System. When working at heights, installers must use a harness for personal protection. Installers must ensure that tools are securely fastened to prevent them from falling.
- To make installation quicker and safer, we recommend tools such as tightening wrenches, torque wrenches, as long as they respect an high quality standards.
- The necessary tools for a safe installations are:

| | | | |
|---|------------------|------------------|------------------|
| 90870 | 90880 | 90881 | 90885 |
| 90253 - 90254 | 90241 | 90242 | 90249 |
| 90249 (Ø 80 - Ø 110 - Ø 168) | VAL03 | | |


System testing

- 1 Before using the INFINITY system installers must follow all safety procedures and use all Personal Protective Equipment (PPE), including but not limited to safety glasses, gloves, hardhat, hearing protection, appropriate footwear and safety harnesses, while installing the Infinity Piping System. When working at heights, installers must use a harness for personal protection. Installers must ensure that tools are securely fastened to prevent them from falling.
- 2 Before using the INFINITY system installers must ensure that the compressor room is spacious, well ventilated, illuminated and insulated.
- 3 Before using the INFINITY system, installers must ensure that all fittings and tubes are properly connected according to specific installation instructions and the necessary test controls.
- 4 Before using the INFINITY system installers must ensure that tubes are fixed correctly to the supports.
- 5 At initial start up of the INFINITY system, apply a test pressure of 1 bar (15 psi) to identify leakage or imperfect joints. After performing an inspection, increase the pressure gradually and constantly (max. 1 bar every 5 minutes). Keep performing inspections for leakages or imperfect connections until the final pressure.


Disassembly of Infinity Piping System

- System designer and installer must ensure the system is isolated and depressurized while working on the Infinity piping system. All local safety regulations and Lock Out /Tag Out procedures must be followed (ex. OSHA for US.). Special care must always be taken to prevent suffocation risks when working with other gases than air.
- Loosen nut to disengage bite ring (clamping washer). With nut loosen you still may need to push tube into fitting to release bite ring.
- Pull tube out of fitting.
- Follow installations instructions for reassembling Infinity Piping System.

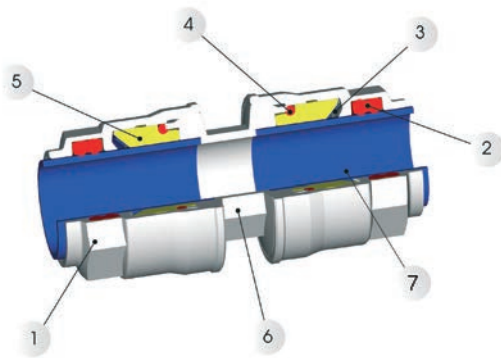


TECHNICAL SPECIFICATIONS

Component Parts and Materials

- 1 Nickel-Plated Brass Nut
- 2 (NBR or Nitrile Rubber) Double-Lipped Seal (Not for Ø 50-63 mm ALU)
- 3 304 AISI Stainless Steel (Bite-Ring or Clamping Washer)
- 4 (NBR / Nitrile Rubber) O-Ring Seal
- 5 Technopolymer Guide-Collar
- 6 Nickel-Plated Brass Body
- 7 6060-T6 Extruded Aluminum Powder Coated Tube
- 8 Aluminum Fittings Options in 50 & 63 mm

PUSH IN:
 Ø 20 mm
 Ø 25 mm
 Ø 32 mm
 Ø 40 mm
 Ø 50 mm
 Ø 63 mm



Reference Standard

1907/2006
REACH ✓

2011/65/CE
RoHS ✓

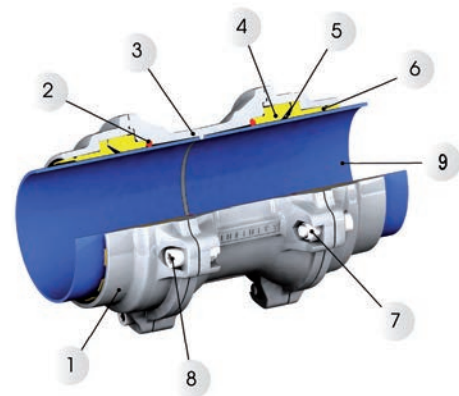
PED
 2014/68/UE

SILICON
 FREE

Component Parts and Materials

- 1 Nut made in aluminium with finished surface treatment
- 2 O-RING Seal made in NBR
- 3 Body made in aluminium with finished surface treatment
- 4 Safety Ring made in Technopolymeric
- 5 Clamping Washer made in AISI 301
- 6 Tube-guide Ring made in technopolymeric
- 7 Selflocking Nut in Zinc-Plated Steel
- 8 TCEI Screw in Zinc-Plated Steel
- 9 Extruded Alluminium tube calibrated and powder coated

PUSH IN:
 Ø 80 mm
 Ø 110 mm
 Ø 168 mm



Pressure Rating

Vacuum ~ 232 PSI
 - 0.99 bar ~ (-0.099 MPa)
 16 bar ~ (1.6 MPa)



Temperatures Rating

-4° F ~ 176° F
-20° C ~ 80° C

- Approved for indoor and outdoor applications
- Not approved for bare underground installation



Threads

- BSPT male threads conform with ISO 7. BSPP female threads conform with ISO 228.
- Male and Female NPT threads conform with ANSI/ASME standard B1.20.1

| Technical characteristics to the tubes | |
|--|---------------------------------------|
| Extruded aluminium | UNI 9006/1 Al Mg 0.5 Si 0.4 Fe 0.2 |
| Designations UNI EN 573-3 | EN AW 6060 T6 |
| Surface treatment | Electrostatic painting |
| Specific weight | 2.70 Kg/dm ³ |
| Expansion coefficient | 0.024 mm/(m °C) |



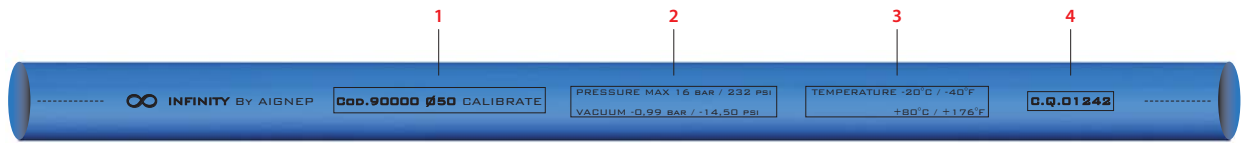
Fluids

- Compressed air
- Vacuum
- Inert Gases - i.g. Nitrogen & Argon



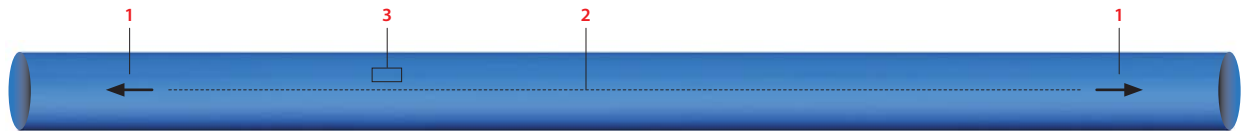
Tube marking

- 1 Product code and tube diameter
- 2 Pressure range
- 3 Temperature range
- 4 Production batch Nr.



Connection indicator & Drilling locator

- 1 Pointing arrow for safe connection
- 2 Drilling line. There are two drilling lines on each tubes
- 3 Identification tube colors:
 - : Compressed air
 - : Vacuum and inert Gases
 - : Nitrogen



Installation equipment

- STEP 1: Cut tube to length
- STEP 2: Debur tube ends (inner and outer diameter)
- STEP 3: Push and rotate the tube into the fitting until fully seated
- STEP 4: Check tightness of fitting

| | |
|----------------------|----------------------|
| <p>STEP 1</p> | <p>STEP 2</p> |
| <p>STEP 3</p> | <p>STEP 4</p> |



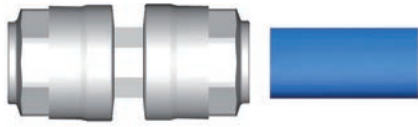
Assembly

Ø 20 - Ø 25 - Ø 32 - Ø 40

Fittings of Ø 20 - Ø 25 - Ø 32 - Ø 40 are supplied assembled and pre torqued.

- 1 Inspect fittings and tube for damage. System components may be damaged during shipment and handling at the job site
- 2 Inspect and deburr tube.
- 3 Insert tube into fitting and firmly push in to seat at bottom of fitting.
- 4 In case of fitting disassembling, use the torque specifications in the chart below to re-assemble the fitting.

1



2



3

| Ø mm | Torque specifications |
|------|-----------------------|
| 20 | 3 Nm (26 In - lbs) |
| 25 | 3 Nm (26 In - lbs) |
| 32 | 4 Nm (35 In - lbs) |
| 40 | 6.5 Nm (58 In - lbs) |

Assembly

Ø 50 - Ø 63

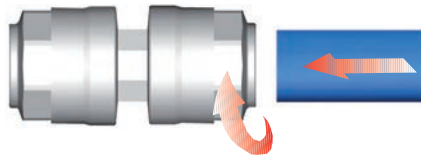
Fittings of Ø 50 - Ø 63 are supplied pre-assembled with nut loosened for ease of insertion.

- 1 Inspect fittings and tube for damage. System components may be damaged during shipment and handling at the job site
- 2 Inspect and deburr tube.
- 3 Insert tube into fitting, firmly push in to seat at bottom of fitting.
- 4 Tighten nut onto fitting following the torque specifications in the chart.

1



2



3

| Ø mm | Torque specifications |
|-----------|-----------------------|
| 50 | 75 Nm (55 ft - lbs) |
| 63 | 85 Nm (63 ft - lbs) |
| Aluminium | |
| 50 | 75 Nm (55 ft - lbs) |
| 63 | 85 Nm (63 ft - lbs) |

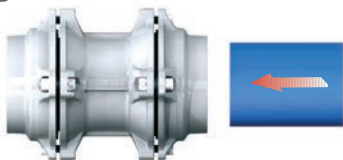
Assembly

Ø 80 - Ø 110 - Ø 168

Fittings of Ø 80 - Ø 110 - Ø 168 are supplied pre-assembled with 4-6 nuts and bolts, loosened for ease of insertion.

- 1 Inspect fittings and tube for damage. System components may be damaged during shipment and handling at the job site
- 2 Inspect and deburr tube.
- 3 Insert tube into fitting, firmly push in to seat at bottom of fitting.
- 4 Tighten nuts and bolts following the torque specifications and sequence in the chart and diagram below.

1

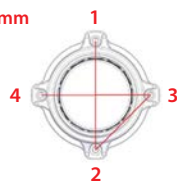


2

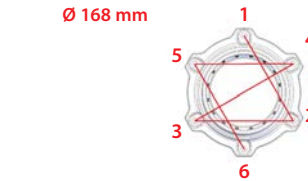


| Ø mm | Torque specifications |
|------|-----------------------|
| 80 | 30 Nm (22 ft - lbs) |
| 110 | 30 Nm (22 ft - lbs) |
| 168 | 60 Nm (44 ft - lbs) |

Ø 80 mm - Ø 110 mm



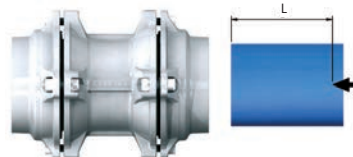
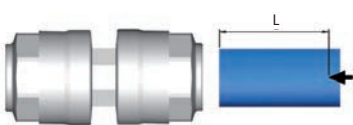
Ø 168 mm



Tube connection

Ø 20 - Ø 25 - Ø 32 - Ø 40 - Ø 50 - Ø 63 - Ø 80 - Ø 110 - Ø 168

- Mark tube depth for visual verification that the tube is seated properly.
- Verify tube is seated into body of fitting and fitting nut is tightened.
- Tube Insertion Depths.

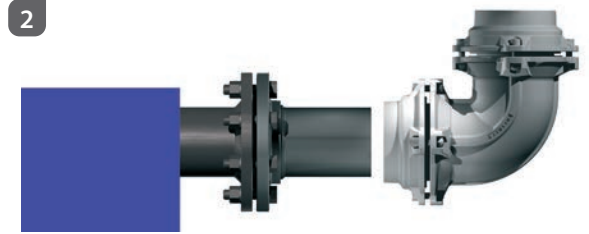
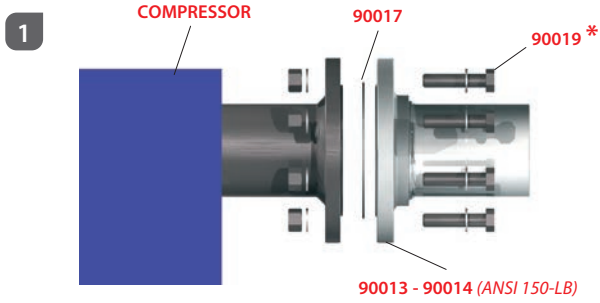


| Ø mm | L mm |
|------|-------|
| 20 | 31.5 |
| 25 | 38.5 |
| 32 | 46 |
| 40 | 52 |
| 50 | 63.5 |
| 63 | 57.5 |
| 80 | 91 |
| 110 | 125.5 |
| 168 | 193 |



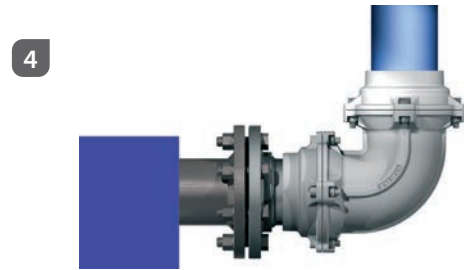
Assembly

- 1 To connect the pipe system to the air system component, use flanged adapter 90013 or 90014 (ANSI 150-LB). Insert gasket 90017 between air system component flange and flange adapter 90013 or 90014 (ANSI150-LB) . Torque 8 nuts and bolts.
- 2 Connect fittings to start the pipeline. Insert tube into fitting, firmly push in to seat at bottom of fitting.
- 3 Tighten nuts and bolts following the torque specifications and sequence in the chart and diagram.
- 4 Finished assembly.



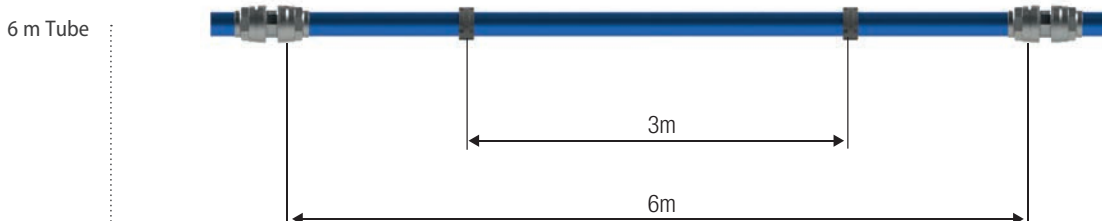
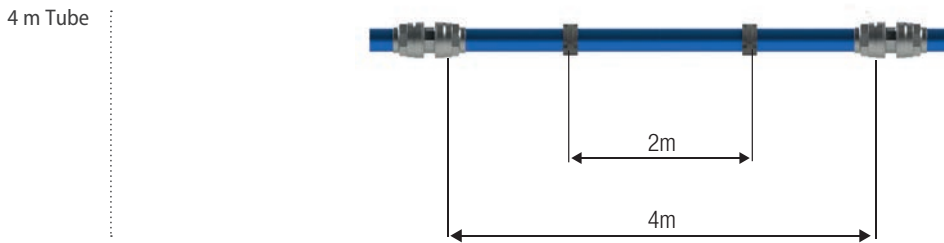
3 *

| Ø mm | Torque specifications |
|------|-----------------------|
| 80 | 30 Nm (22 ft - lbs) |
| 110 | 30 Nm (22 ft - lbs) |
| 168 | 60 Nm (44 ft - lbs) |



HANGING AND SUPPORTING INFINITY PIPING SYSTEM

- Installer must follow all national and local codes for hanging a piping system
- Aignep recommends the following hanging and support for Infinity Piping System





Expansion and shrinkage due to the heat

Installer needs to understand and consider linear expansion/contraction while hanging Infinity Piping System.

To calculate the linear expansion - shrinkage we can use the following formula:

$$\Delta L = \Delta T \times L \times \alpha \text{ i.e.:$$

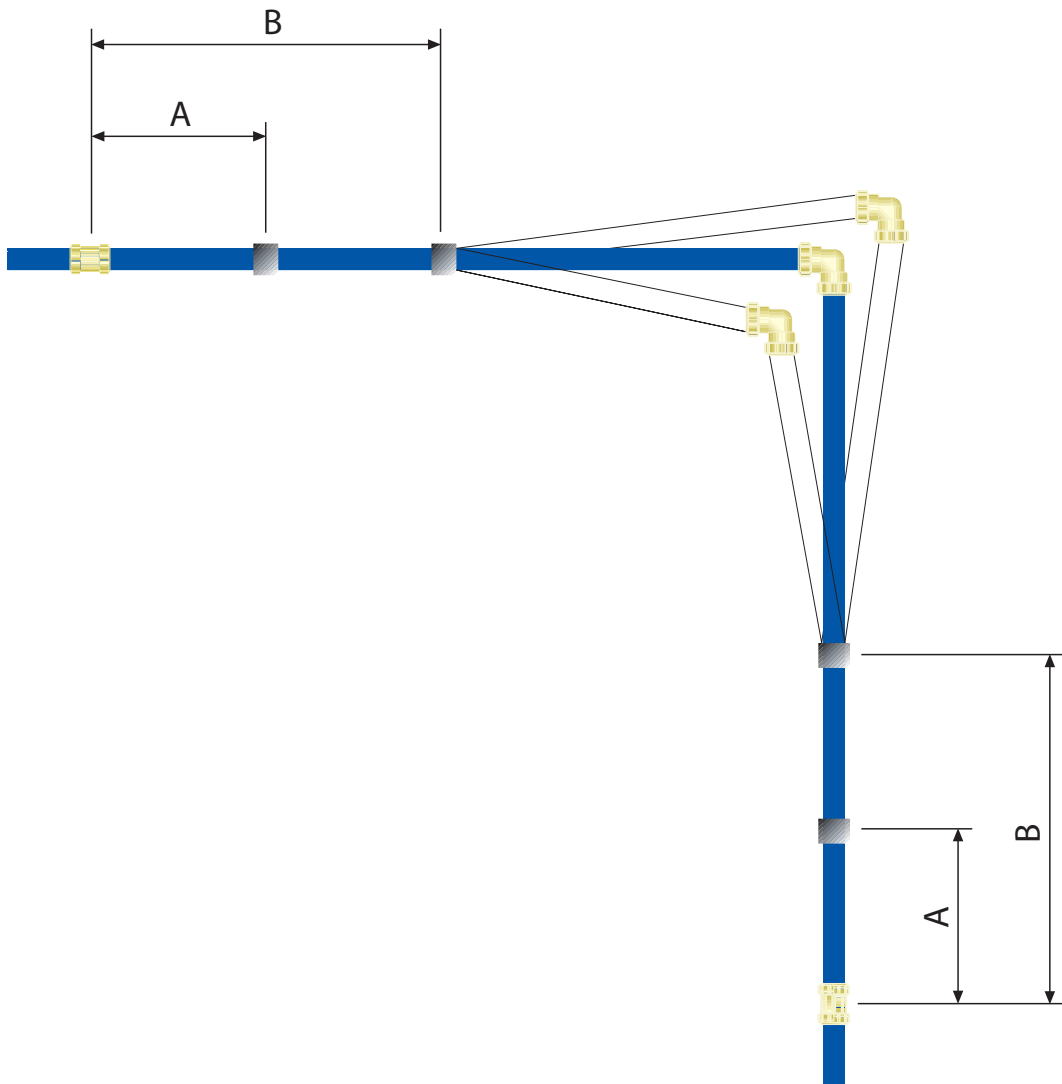
ΔL = Linear expansion - shrinkage in mm

ΔT = Heat variation between the operating temperature and the installation one at °C

L = Tube length in m

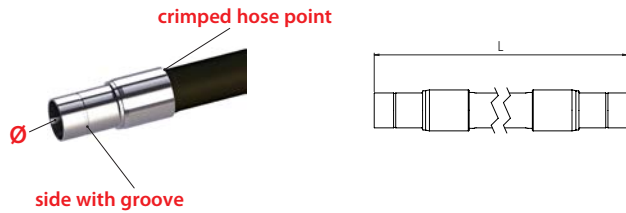
α = Linear expansion factor, for the aluminium
it is 0.024 mm/m °C

- The installation have to be positioned, considering at the two ends free space which permits the expansion - shrinkage and supports have to be fixed as showed in the picture:

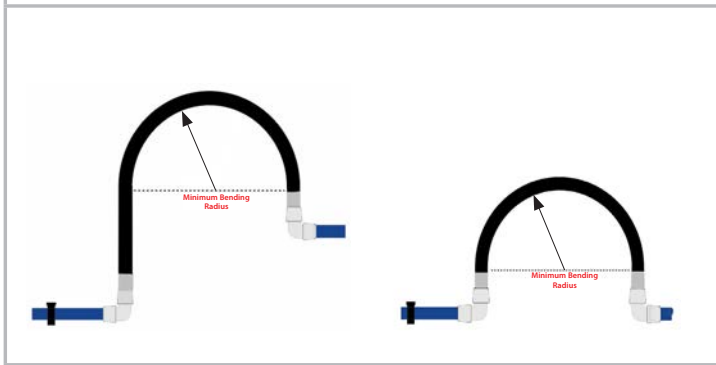



Infinity Flexible Hose

- Infinity flexible hose can be connected to Infinity Fittings very easily
- Infinity flexible hose is quick to connect and does not require prior preparation or cutting.
- The installer must select flexible hose and fittings of the same diameters.
- The installer must consider the minimum Bending Radius in case of expansion loop, change of level and obstacle bypass
- The installer is solely responsible for the final selection of the flexible hose and fittings by testing the performance, endurance, maintenance and safety requirements of the application.

90806
 FLEXIBLE HOSE


| Code | Tube Ø | L (Length) | Minimum Bending Radius |
|----------------|--------|--------------------|------------------------|
| 90806 020 0750 | 20 | 0,75 Mt (2.46 ft) | 10 cm (4 inch) |
| 90806 020 1000 | 20 | 1 Mt (3.28 ft) | 10 cm (4 inch) |
| 90806 020 2000 | 20 | 2 Mt (6.56 ft) | 10 cm (4 inch) |
| 90806 025 1000 | 25 | 1 Mt (3.28 ft) | 10 cm (4 inch) |
| 90806 025 2000 | 25 | 2 Mt (6.56 ft) | 10 cm (4 inch) |
| 90806 032 1000 | 32 | 1 Mt (3.28 ft) | 18 cm (7 inch) |
| 90806 032 2000 | 32 | 2 Mt (6.56 ft) | 18 cm (7 inch) |
| 90806 032 3000 | 32 | 3 Mt (9.84 ft) | 18 cm (7 inch) |
| 90806 040 1000 | 40 | 1 Mt (3.28 ft) | 40 cm (16 inch) |
| 90806 040 2000 | 40 | 2 Mt (6.56 ft) | 40 cm (16 inch) |
| 90806 040 3000 | 40 | 3 Mt (9.84 ft) | 40 cm (16 inch) |
| 90806 050 1500 | 50 | 1,50 Mt (4.92 ft) | 30 cm (12 inch) |
| 90806 050 2500 | 50 | 2,50 Mt (8.20 ft) | 30 cm (12 inch) |
| 90806 050 3500 | 50 | 3,50 Mt (11.48 ft) | 30 cm (12 inch) |
| 90806 063 1500 | 63 | 1,50 Mt (4.92 ft) | 30 cm (12 inch) |
| 90806 063 2500 | 63 | 2,50 Mt (8.20 ft) | 66 cm (26 inch) |
| 90806 063 3500 | 63 | 3,50 Mt (11.48 ft) | 66 cm (26 inch) |


Infinity Safety Kit for Flexible Hose

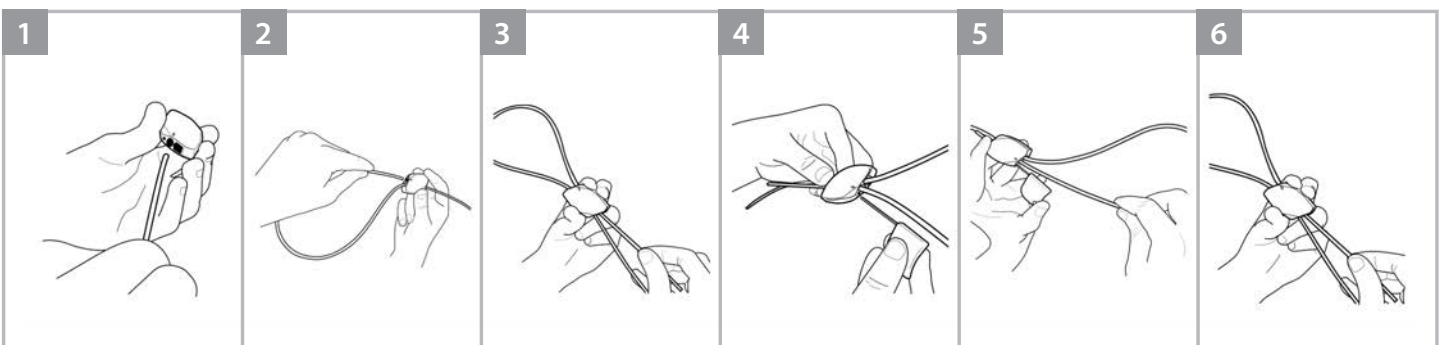
- To prevent serious risks to whipash accidents or proper damage to people or equipment, the safety kit 90808 needs to be installed along with the flexible hose 90806. The Infinity Installer must place the kit straps on either side of the connection.

90808
 SAFETY KIT FOR FLEXIBLE HOSE

ISO 4414

Assembly 90808

- The safety kit already includes the looking tool (4).
- The installer must test and check the correct installation of the safety kit manually (6).

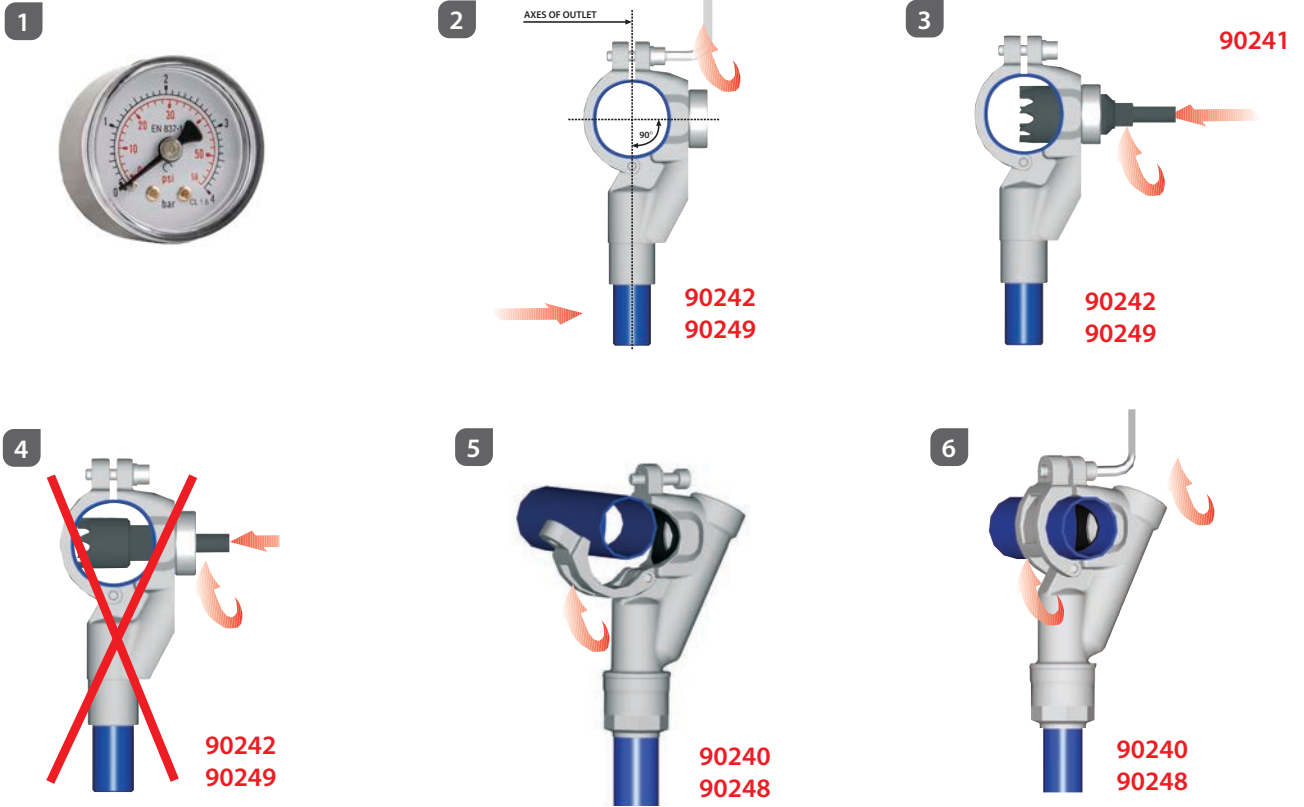




Assembly (90242 - 90249 - 90240 - 90248)

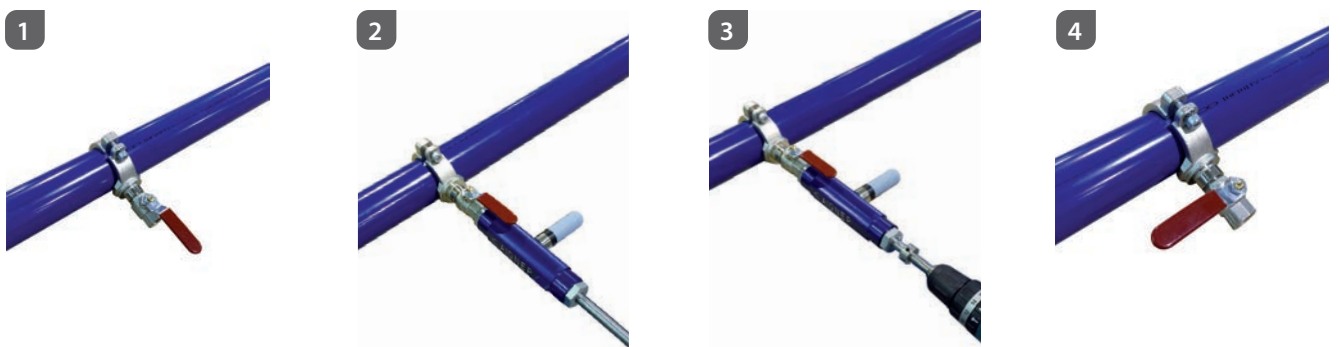
A saddle clamp allows the installer to set up a new drop in an existing system without removing tubes.

- 1 Depressurize the system.
- 2 Mount jig 90242 or 90249 for the correct tube and outlet size.
Be careful that jig bore must intersect the axis of tube drop.
It is possible, if needed, to mount a 20mm tube to the drilling jig for ease of positioning.
- 3 Drill the tube with correct hole saw 90241.
- 4 Do not damage inside of tube with hole saw.
- 5 Remove jig and clean up any residual material.
- 6 Mount and tighten saddle clamp 90240 or 90249. Be careful that the lip seal lies into the hole correctly.



Assembly (90253 - 90254)




- 1 Mount the saddle clamp Art.90253 on tube and screw it carefully - open the valve.
- 2 Mount the drilling tool Art.90252 on valve and screw it carefully.
- 3 Mount the drill on the drilling tool Art.90252 and drill the tube till the stop.
- 4 Remove the drill and pull back the drill tip; close the valve before removing the drilling tool.





Assembly 90620


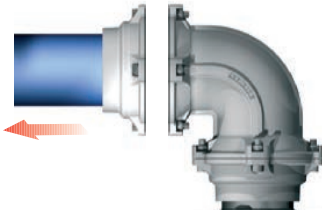
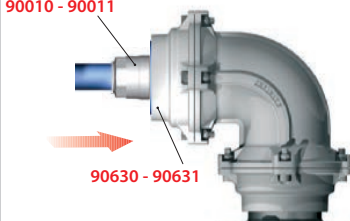
- 1 Remove the nut.
 - 2 Mount art 90620 to reduce pipe diameter
- * Follow the torque specifications

| <p>90620 BODY REDUCER</p>  | <p>1 - Remove the nut</p>  | <p>2 - Mount art. 90620</p>  | * | | | | | | | | | | | | | | | | | | |
|--|---|--|---|------|-----------------------|----|--------------------|----|--------------------|----|--------------------|----|----------------------|----|---------------------|----|---------------------|-----------|--|----|---------------------|
| | | | <table border="1"> <thead> <tr> <th>Ø mm</th> <th>Torque specifications</th> </tr> </thead> <tbody> <tr> <td>20</td> <td>3 Nm (26 In - lbs)</td> </tr> <tr> <td>25</td> <td>3 Nm (26 In - lbs)</td> </tr> <tr> <td>32</td> <td>4 Nm (35 In - lbs)</td> </tr> <tr> <td>40</td> <td>6.5 Nm (58 In - lbs)</td> </tr> <tr> <td>50</td> <td>75 Nm (55 ft - lbs)</td> </tr> <tr> <td>63</td> <td>85 Nm (63 ft - lbs)</td> </tr> <tr> <td colspan="2" style="text-align: center;">Aluminium</td> </tr> <tr> <td>50</td> <td>75 Nm (55 ft - lbs)</td> </tr> <tr> <td>63</td> <td>85 Nm (63 ft - lbs)</td> </tr> </tbody> </table> | Ø mm | Torque specifications | 20 | 3 Nm (26 In - lbs) | 25 | 3 Nm (26 In - lbs) | 32 | 4 Nm (35 In - lbs) | 40 | 6.5 Nm (58 In - lbs) | 50 | 75 Nm (55 ft - lbs) | 63 | 85 Nm (63 ft - lbs) | Aluminium | | 50 | 75 Nm (55 ft - lbs) |
| Ø mm | Torque specifications | | | | | | | | | | | | | | | | | | | | |
| 20 | 3 Nm (26 In - lbs) | | | | | | | | | | | | | | | | | | | | |
| 25 | 3 Nm (26 In - lbs) | | | | | | | | | | | | | | | | | | | | |
| 32 | 4 Nm (35 In - lbs) | | | | | | | | | | | | | | | | | | | | |
| 40 | 6.5 Nm (58 In - lbs) | | | | | | | | | | | | | | | | | | | | |
| 50 | 75 Nm (55 ft - lbs) | | | | | | | | | | | | | | | | | | | | |
| 63 | 85 Nm (63 ft - lbs) | | | | | | | | | | | | | | | | | | | | |
| Aluminium | | | | | | | | | | | | | | | | | | | | | |
| 50 | 75 Nm (55 ft - lbs) | | | | | | | | | | | | | | | | | | | | |
| 63 | 85 Nm (63 ft - lbs) | | | | | | | | | | | | | | | | | | | | |



Assembly 90620

- 1 Remove the flange
 - 2 Mount art. 90630+90010 to reduce pipe diameter
Mount art. 90631+90011 (NPTF) to reduce pipe diameter
- * Follow the torque specifications

| <p>90630 90631 (NPTF) FEMALE REDUCER</p>  | <p>1 - Remove the flange</p>  | <p>2 - Mount art. 90630+90010 2 - Mount art. 90631+90011 (NPTF)</p>  | * | | | | | | |
|--|--|--|---|------|-----------------------|----|---------------------|-----|---------------------|
| | | | <table border="1"> <thead> <tr> <th>Ø mm</th> <th>Torque specifications</th> </tr> </thead> <tbody> <tr> <td>80</td> <td>30 Nm (22 ft - lbs)</td> </tr> <tr> <td>110</td> <td>30 Nm (22 ft - lbs)</td> </tr> <tr> <td>168</td> <td>60 Nm (44 ft - lbs)</td> </tr> </tbody> </table> | Ø mm | Torque specifications | 80 | 30 Nm (22 ft - lbs) | 110 | 30 Nm (22 ft - lbs) |
| Ø mm | Torque specifications | | | | | | | | |
| 80 | 30 Nm (22 ft - lbs) | | | | | | | | |
| 110 | 30 Nm (22 ft - lbs) | | | | | | | | |
| 168 | 60 Nm (44 ft - lbs) | | | | | | | | |



Reducing fittings 90012 - 90621 - 90626 - 90628

- Reducing fittings have grooves intentionally machined for the bite ring (clamp washer) to engage.
- Installer must ensure the reducer is fully seated into the accepting fitting for the bite ring (clamp washer) to properly engage the machined groove

| | | | |
|---|--|--|--|
| <p>90012 TUBE-TUBE REDUCER side without groove</p>  <p>side with groove</p> | <p>90621 REDUCER side with groove</p>  | <p>90626 (NPTF) FEMALE REDUCER side with groove</p>  | <p>90628 (NPTF) MALE REDUCER side with groove</p>  |
|---|--|--|--|



** Please contact one of the following Aignep branches with any questions, concerns or additional information needed prior, during or after the installation of Infinity piping system.*



Aignep si riserva il diritto di variare modelli e ingombri senza preavviso.
Aignep reserves the right to vary models and dimensions without notice.
Aignep behält sich das Recht vor, Daten ohne Ankündigung zu ändern.
Aignep se réserve le droit de modifier les données sans préavis.
Aignep se reserva el derecho de modificar modelos y dimensiones sin previo aviso.
Aignep reserve-se o direito de alterar os modelos e dimensões sem prévio aviso.
Aggiornamento - Updated - Mise à jour - Actualización - Atualização: 01/2024



AIGNEP SPA

Headquarter:
Via Don G. Bazzoli, 34 - 25070
Bione, Brescia - ITALY
T: +39 0365 896626
F: +39 0365 896561
aignep.it@aignep.com

Fluidity division:
Via Archimede, 31 - 20864
Agrate Brianza, Monza Brianza - ITALY



AIGNEP USA LLC

Loblolly Pine Blvd, 7121 - 37062
Fairview, TN - U.S.A.
T: +1 615 771 6650
F: +1 615 771 0926
aignep.usa@aignep.com



AIGNEP IBERICA SA

Pol. Ind. el Tortuguier "Can Prat"
Naves 23/24 - 08691
Monistrol de Montserrat - SPAIN
T: +34 93 828 47 36
F: +34 93 828 44 32
aignep.es@aignep.com



AIGNEP AG

Industriestrasse, 22A - 2545
Selzach - SWITZERLAND
T: +41 32 342 09 09
F: +41 32 342 09 11
aignep.ch@aignep.com



AIGNEP DO BRASIL COMERCIO DE
COMPONENTES PARA AUTOMAÇÃO LTDA
Rua Batista Pereira, 99 - 11015-011
Vila Mathias - Macuco - Santos/SP - BRASIL
T: +55 13 2138 4049
F: +55 13 2138 4052
aignep.br@aignep.com



AIGNEP FRANCE SARL

Rue du Tertre, 1A - 44470
Carquefou - FRANCE
T: +33 27 22 42 650
F: +33 27 22 42 651
aignep.fr@aignep.com



AIGNEP LATAM SAS

Headquarter:
Calle 15 N 27/78, Local 7 - 111411
Paloquemao, Bogotá - COLOMBIA
T: +57 601 375 2501/8
T: +57 601 744 2086
T: +57 601 745 2736

Branch office:
Carrera 50 FF, 8 - 0520024
Build 808 - Office 404
Medellín - COLOMBIA
T: +57 46 04 25 34
T: +57 46 04 21 87
aignep.latam@aignep.com



AIGNEP (WUXI) FLUID
TECHNOLOGY CO., LTD
Yanggong Road, 8 - Nanhu Main Road
Wuxi, Jiangsu - CHINA
T: +86 0510 8544 1923
F: +86 0510 8540 0223
aignep.cn@aignep.com



AIGNEP DEUTSCHLAND GMBH

Industriepark, 2 - 48739
Legden - GERMANY
T: +49 2566 7039 290
F: +49 2566 7039 299
aignep.de@aignep.com



AIGNEP RUS LLC

Ryazansky prosp, 22 - 109428
Build 2, Office 723
Moscow - RUSSIA
T: +7 49 5143 6286
aignep.ru@aignep.com

www.aignep.com